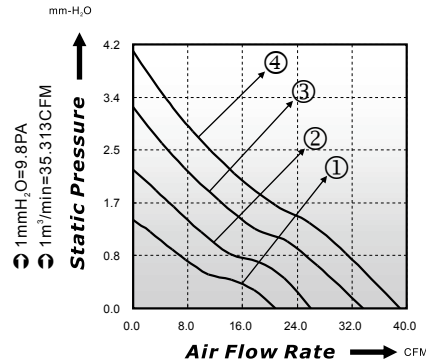


80x80x15mm

Model I

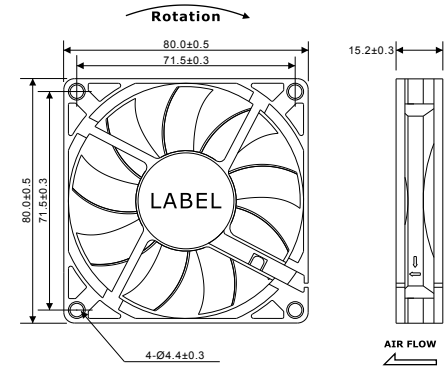


P-Q Curve (At Rated Voltage)



Dimensions Drawing

Unit: (mm)



Model No	Bearing (*)	Rated Voltage (VDC)	Rated Current (A)	Power Consumption (Watts)	Speed (rpm)	Air Flow (CFM)	Static Pressure (mmH ₂ O)	Noise (dBA)	Curve
ED08015-12L*	○ ● ⊖	12	0.08	0.96	2000	20.82	1.41	23.2	1
ED08015-12M*	○ ● ⊖	12	0.10	1.20	2500	26.03	2.21	28.0	2
ED08015-12H*	○ ● ⊖	12	0.16	1.92	3000	33.60	3.20	32.5	3
ED08015-12HH*	○ ● ⊖	12	0.35	4.20	3500	39.05	4.10	37.0	4
ED08015-24L*	○ ● ⊖	24	0.05	1.20	2000	20.82	1.41	23.2	1
ED08015-24M*	○ ● ⊖	24	0.07	1.68	2500	26.03	2.21	28.0	2
ED08015-24H*	○ ● ⊖	24	0.10	2.40	3000	33.60	3.20	32.5	3
ED08015-24HH*	○ ● ⊖	24	0.15	3.60	3500	39.05	4.10	37.0	4

* Bearing Type: ○ Sleeve ● Two Ball ⊖ Hydro-Dynamic